



E.F. BAVIS & ASSOC. INC.

201 GRANDIN RD. P.O. BOX 337

MAINEVILLE, OH. 45039 0337

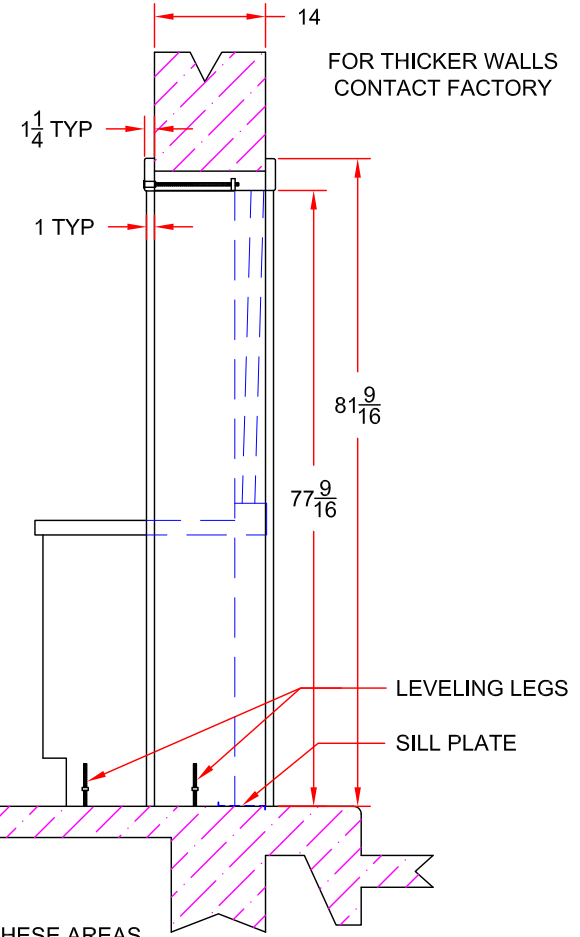
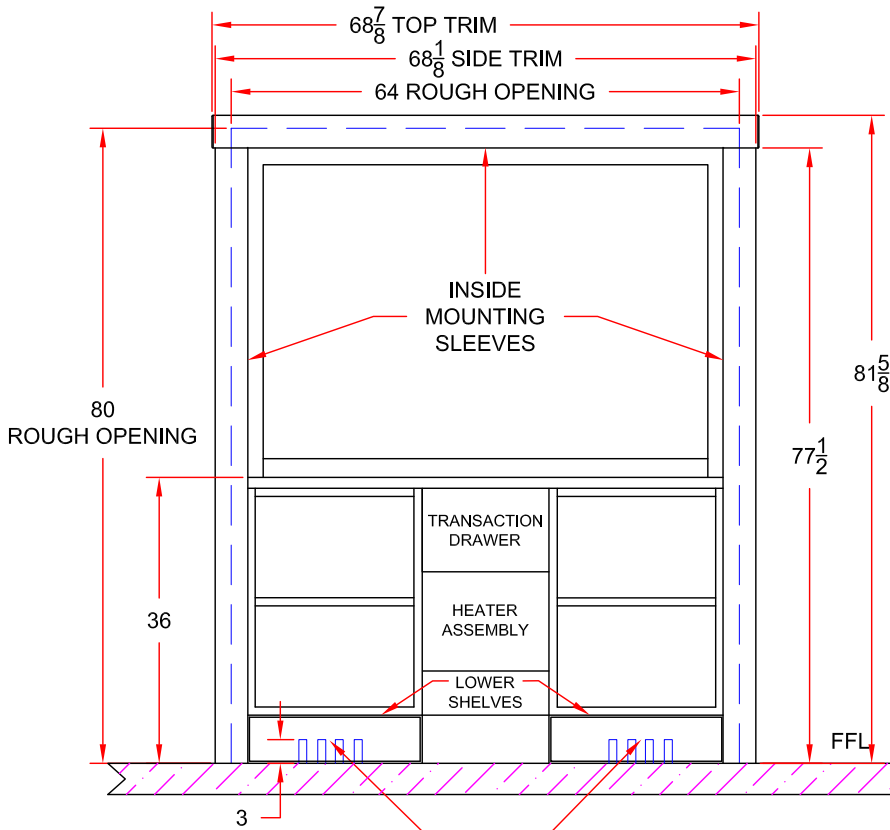
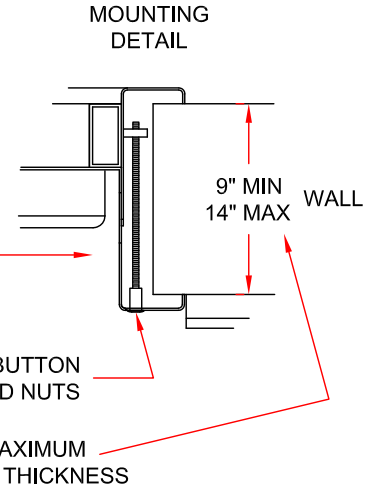
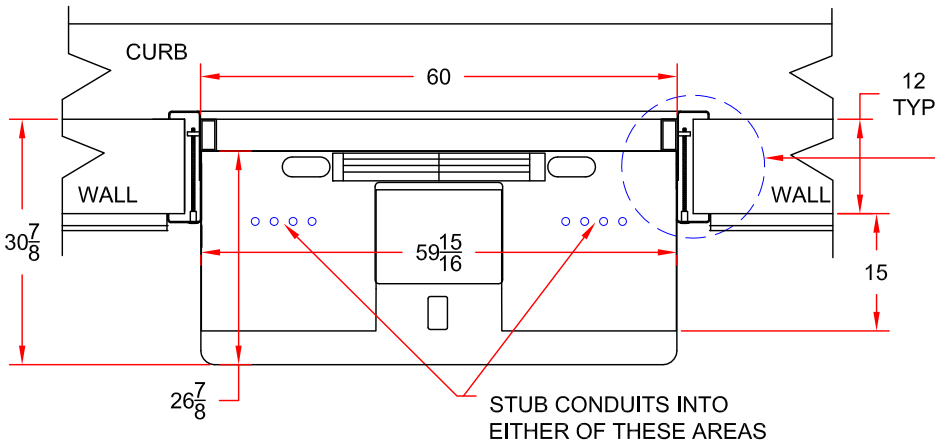
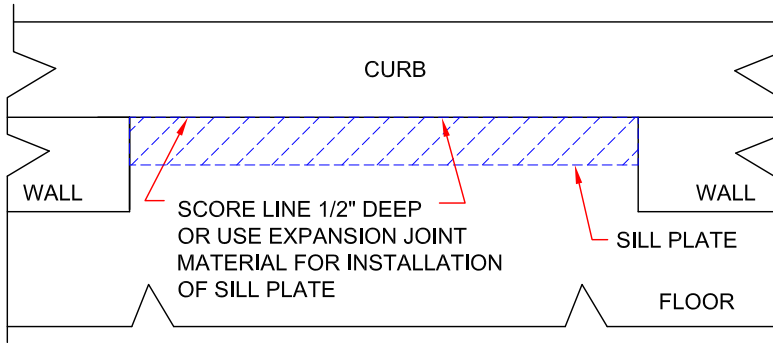
PH 513-677-0500 FAX 513-677-0552

ALL-IN-ONE SR.

PART	12000991	PAGE	OF	
DWG.	12000991	DATE CREATED:	11/24/99	JMF
REV.		LAST DATE:	07/26/13	MJC
DATE:	08/01/19	MJC	COPYRIGHT 1996,2002 E.F. Bavis & Assoc., Inc.	

NO.	ECN
1	20453
2	
3	
4	
5	
6	
7	
8	
9	
10	

DIMENSIONS AND APPEARANCE
SUBJECT TO CHANGE WITHOUT NOTICE.



STUB CONDUITS INTO EITHER OF THESE AREAS
NO MORE THAN 3" TALL. 120 VAC 15 AMP 1 PH FOR STANDARD WINDOW
240 VAC 20 AMP 1 PH WITH CABINET HEATER OPTION