



E.F.BAVIS & ASSOC. INC.

201 GRANDIN RD. P.O.BOX 337
MAINEVILLE, OH. 45039 0337
PH 513-677-0500 FAX 513-677-0552

UNLESS OTHERWISE SPECIFIED ALL DIMENSIONS ARE IN INCHES
DECIMALS: .XX + -.01 .XXX + -.005 FRACTIONS: + - 1/64; ANGLES: + - 30°
REMOVE ALL BURRS AND SHARP EDGES TO R .02 OR .02 X .02 CHAMFER MAX.

THIS DOCUMENTATION AND INFORMATION CONTAINED ARE THE SOLE PROPERTY OF
E.F.BAVIS & ASSOC., INC. IT SHALL BE RETURNED UPON REQUEST AND SHALL
NOT BE REPRODUCED IN WHOLE OR IN PART, OR DISCLOSED TO ANYONE ELSE,
OR USED, WITHOUT WRITTEN CONSENT OF E.F.BAVIS & ASSOC., INC.

AW JR 64" TYPICAL DRIVE UP WINDOW BANKING APPLICATION

PART		PAGE	OF
DWG.	12000989	DATE CREATED	04/07/09 MJC
REV.		LAST DATE	
DATE		COPYRIGHT 1996,2002 E.F.Bavis & Assoc. Inc.	

WINDOW COLORS

BRONZE

ASA70 GRAY

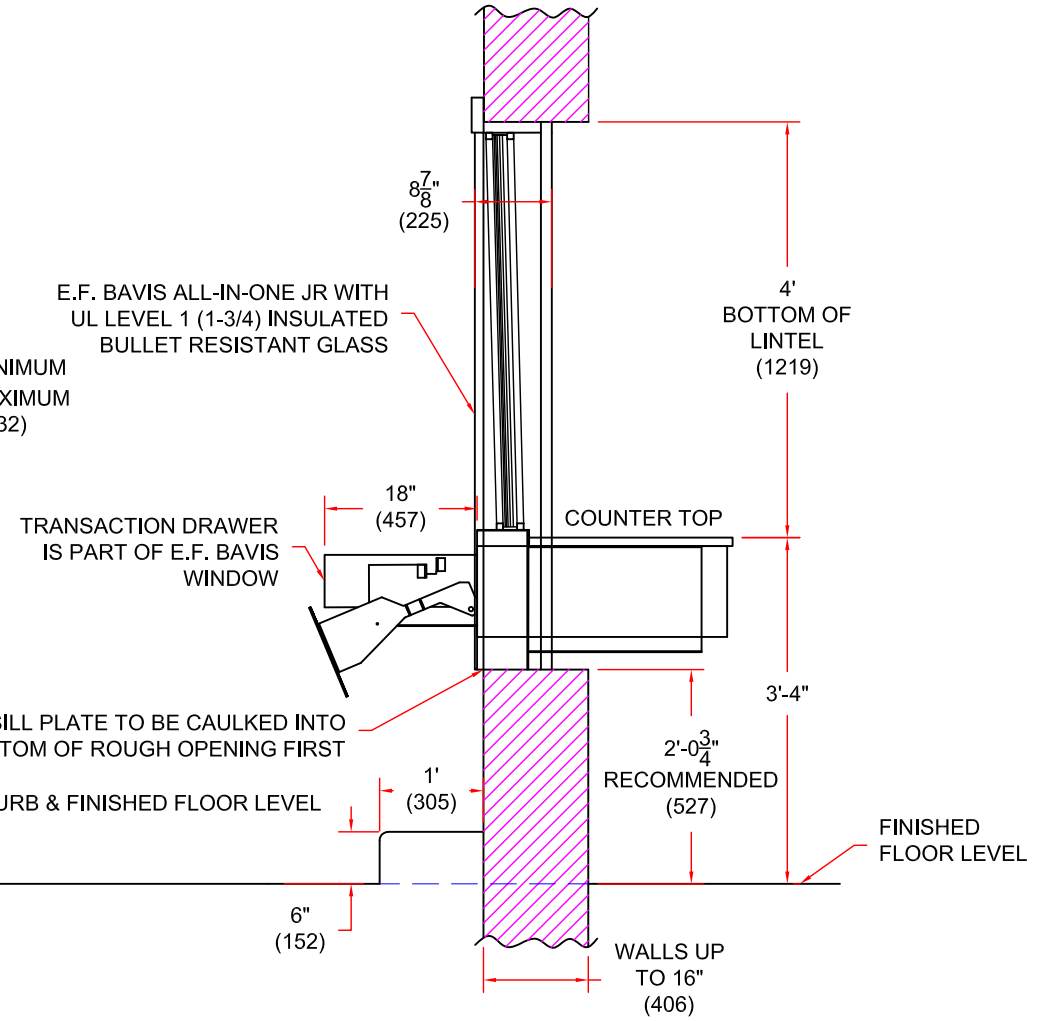
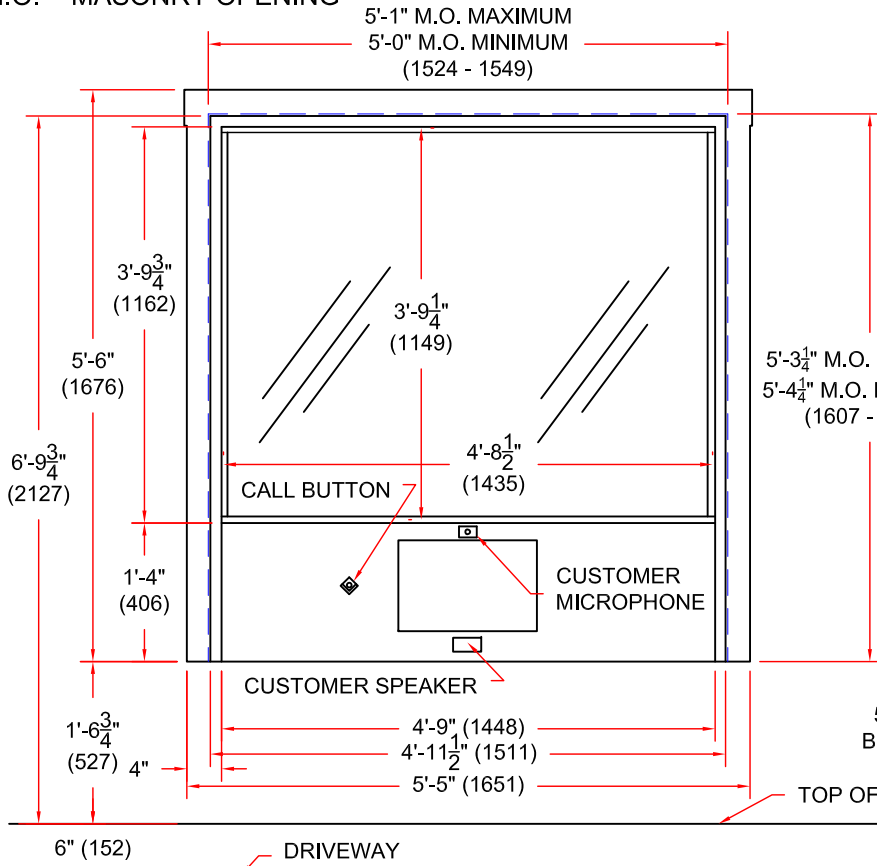
BLACK TEXT

OTHER

WHEN ORDERING E.F. BAVIS WINDOW, IDENTIFY WALL THICKNESS FOR WINDOW FRAME ATTACHMENT. EXTERIOR WALL PLANE AT DRIVE-THRU MASONRY OPENING SHALL BE FLUSH FOR WINDOW FRAME. STEP BULL NOSE OR WAINSCOT DETAIL TO ACCOMMODATE FRAME LIP. SEE EXTERIOR ELEVATIONS.

NO.	ECN
1	
2	
3	
4	
5	
6	
7	
8	
9	
10	

M.O. = MASONRY OPENING



EXTERIOR ELEVATION

(XXX) = mm

SECTION