

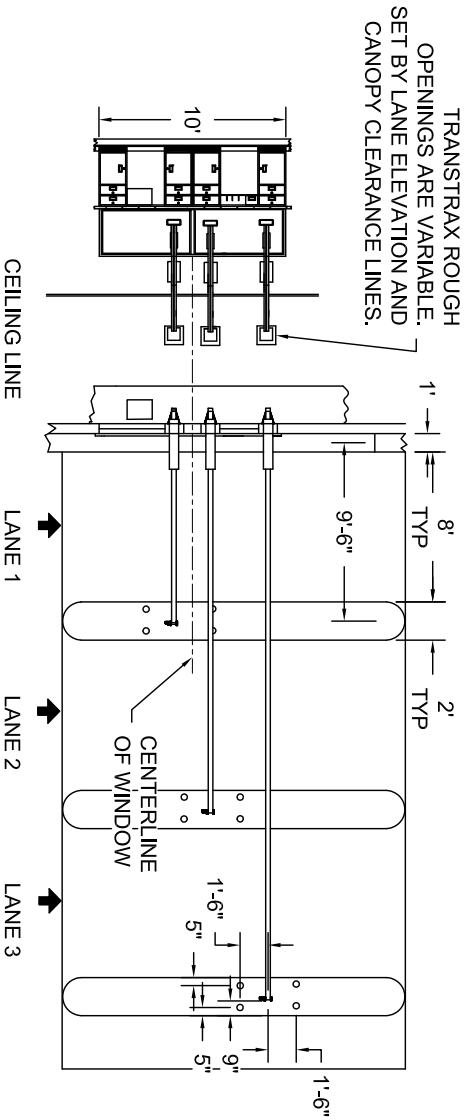
E.F. BAVIS & ASSOC. INC.
 201 GRANDIN RD. P.O. BOX 337
 MAINEVILLE, OH. 45039 0337
 PH 513-677-0500 FAX 513-677-0552

UNLESS OTHERWISE SPECIFIED ALL DIMENSIONS ARE IN INCHES
 DECIMALS: .XX + .01 - .XX - .01 FRACTIONS: + 1/64" ANGLE: + 30°
 REMOVE ALL BURRS AND SHARP EDGES TO R .02 OR .02 X .02 CHAMFER MAX.
 THIS DOCUMENTATION AND INFORMATION CONTAINED ARE THE SOLE PROPERTY OF
 E.F. BAVIS & ASSOC. INC. IT SHALL BE RETURNED UPON REQUEST AND SHALL
 NOT BE REPRODUCED IN WHOLE OR IN PART, OR DISCLOSED TO ANYONE ELSE
 OR USED, WITHOUT WRITTEN CONSENT OF E.F. BAVIS & ASSOC. INC.

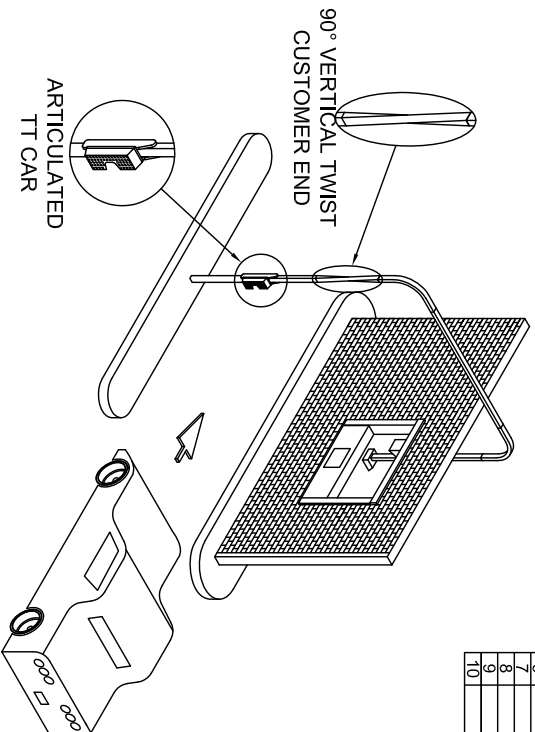
TRANSTRAX DRIVE-THRU APPLICATIONS

PART	OF	PAGE
DWG.	TT APPS '03	01/22/03 BAP
REV.	LAST DNE	COPYRIGHT 1996, 2002
DATE:		E.F. Bavis & Assoc. Inc.

3 LANES OF TRANSTRAX WITH A 10' WINDOW

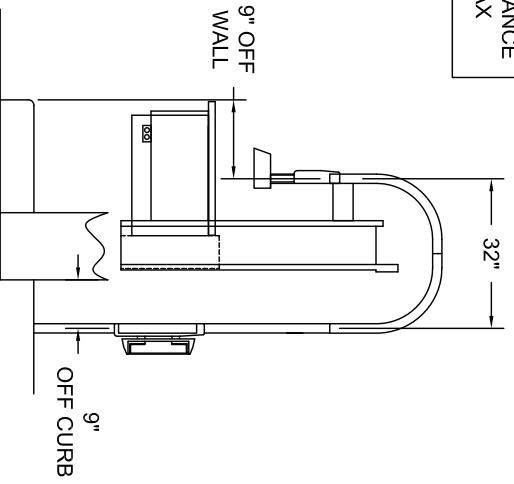


REVERSE LANE



NO.	ECN
1	
2	
3	
4	
5	
6	
7	
8	
9	
10	

LANE ONE MINIMUM DISTANCE TRANSTRAX



4 LANES (ANGLED) TRANSTRAX WITH ADJACENT TELLER VERTICALS

