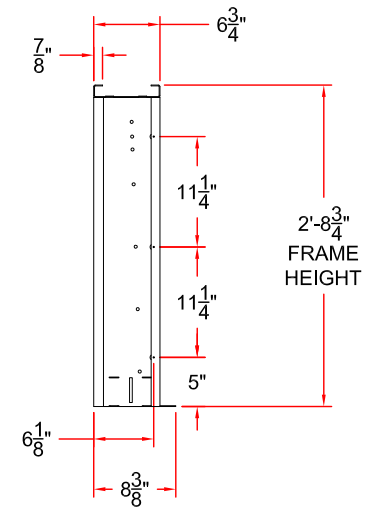


OUTSIDE ELEVATION



**WINDOW MODEL #**  
12001008

**PROPRIETARY**  
THIS DOCUMENTATION AND INFORMATION CONTAINED ARE THE SOLE PROPERTY OF E.F.BAVIS & ASSOC., INC. IT SHALL BE RETURNED UPON REQUEST AND SHALL NOT BE REPRODUCED IN WHOLE OR IN PART, OR DISCLOSED TO ANYONE ELSE, OR USED, WITHOUT WRITTEN CONSENT OF E.F. BAVIS & ASSOC., INC.



**E.F.BAVIS & ASSOCIATES INC.**  
201 GRANDIN RD.  
MAINEVILLE, OH 45039

T: 513-677-0500 F: 513-677-0552 E: info@bavis.com www.bavis.com

DIMENSIONS ARE IN  
**INCHES**  
UNLESS OTHERWISE  
SPECIFIED

TITLE

**10' TRIMLESS WINDOW**

DRAWN	B.PRINCE	10-3-05	SIZE	A	DRAWING NO.	12001008 SPEC	SHEET	1	OF	1
-------	----------	---------	------	---	-------------	---------------	-------	---	----	---