

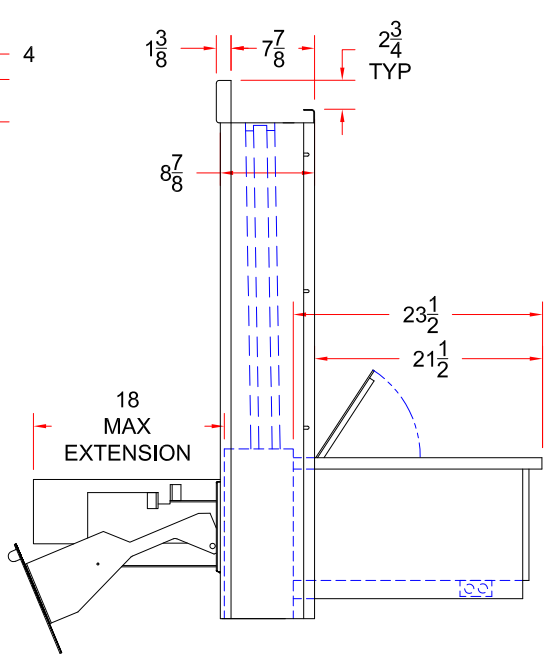
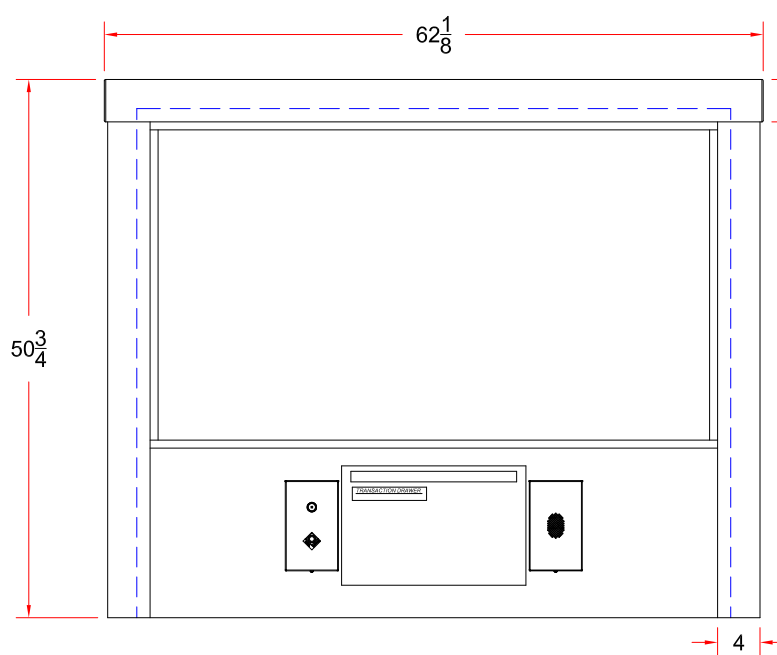
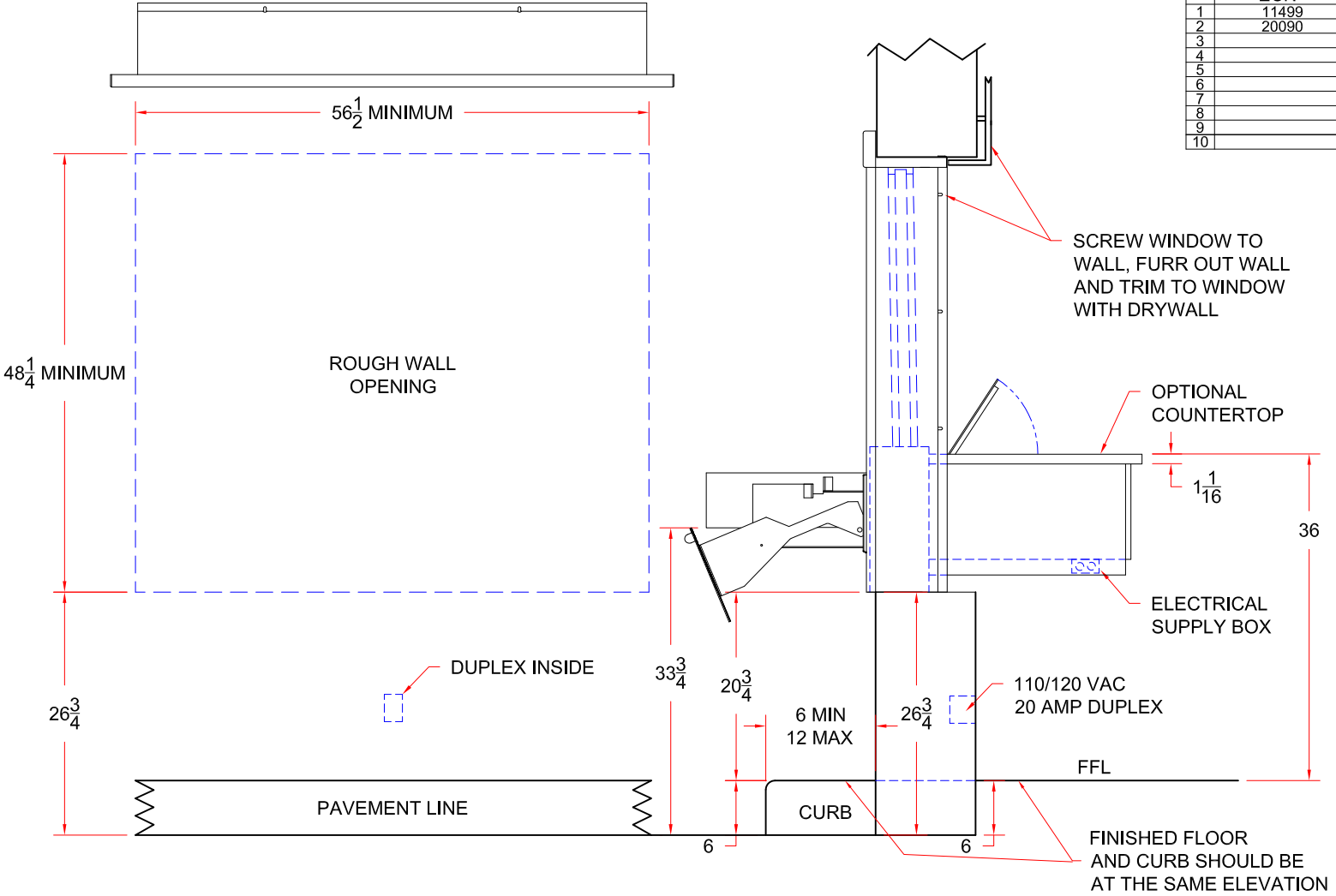


E.F. BAVIS & ASSOC. INC.  
 201 GRANDIN RD. P.O. BOX 337  
 MAINEVILLE, OH. 45039 0337  
 PH 513-677-0500 FAX 513-677-0552

# 60" ALL IN ONE JR PHARMACY SPECIFIC

PART	12000993	PAGE	1 OF 2
DWG.	12000993	DATE CREATED:	03/23/00 JMF
REV.		LAST DATE:	09/27/04 BAP
DATE:	06/07/17	MJC	COPYRIGHT 1996,2002 E.F. Bavis & Assoc. Inc.

NO.	ECN
1	11499
2	20090
3	
4	
5	
6	
7	
8	
9	
10	



SPECIFICATION SUBJECT TO CHANGE WITHOUT NOTICE. NOT TO BE USED FOR CONSTRUCTION PURPOSES.